

ILLUSTRATED PARTS LIST

MODEL NUMBER M65B53FD

PRODUCT NUMBER 961 41 01-42

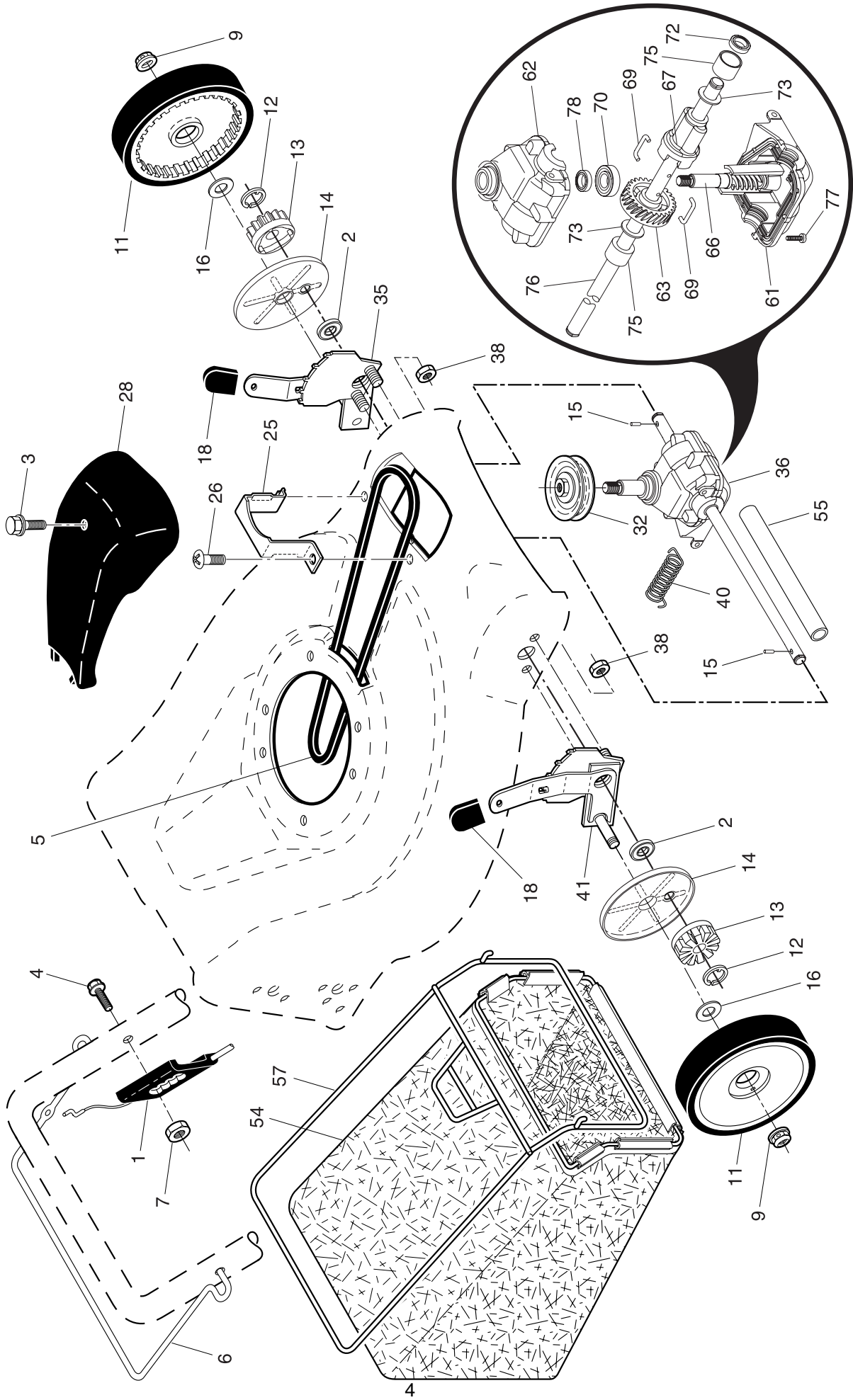
MFG. ID. NUMBER 96141014200

ROTARY LAWN MOWER - - MODEL NUMBER **M65B53FD** (96141014200) PRODUCT NUMBER 961 41 01-42

KEY NO.	PART NO.	DESCRIPTION	KEY NO.	PART NO.	DESCRIPTION
1	532 19 84-59	Upper Handle	30	532 41 21-74	Axle Arm Assembly, Rear
2	532 15 36-05	Lower Handle	31	532 08 78-77	Selector Knob
3	532 19 84-64	Control Bar	32	532 41 08-88	Selector Spring
4	532 17 51-48	Engine Zone Control Cable	34	532 41 21-74	Axle Arm Assembly, Rear
5	532 19 15-74	Handle Bolt	36	532 18 41-93	Bolt
6	532 19 19-38	Handle Knob	38	819 40 16-29	Spacer
7	532 05 17-93	Hairpin Cotter	39	532 40 16-30	Washer
8	532 06 64-26	Wire Tie	40	532 19 09-39	Mounting Bracket, Debris Shield
9	532 40 69-85	Rear Door	41	532 19 23-25	Screw
10	532 12 84-15	Pop Rivet	43	532 19 89-10	Debris Shield
11	532 41 05-40	Support Bracket, LH	44	532 40 93-64	Lawn Mower Housing (Includes Key Numbers 10, 11, 12 and 45)
12	532 41 05-42	Support Bracket, RH	45	532 18 21-66	Danger Decal
13	817 06 04-10	Screw 1/4-20 x 5/8	46	532 19 77-52	Blade Adapter / Pulley
14	532 19 01-54	Handle Bracket Assembly, LH	47	532 19 93-77	Blade 21"
15	532 19 01-53	Handle Bracket Assembly, RH	48	532 85 10-74	Hardened Washer
16	532 40 54-17	Spring, Rear Door, LH	49	532 85 02-63	Helical Washer 3/8-24 x 1-3/8 Grade 8
17	532 40 54-18	Spring, Rear Door, RH	50	532 85 10-84	Hex Head Machine Screw 3/8-24 x 1-3/8 Grade 8
18	532 13 20-04	Keps Locknut 1/4-20	57	532 12 51-62	Bracket, Upstop
19	532 19 47-88	Rope Guide	58	532 75 06-34	Screw
20	532 41 05-36	Foot Guard, C.E.	96	532 19 79-91	Clip, Cable
21	532 05 45-83	Screw, Tapping 1/4-20 x 1/2	97	532 19 71-62	Belt Keeper
23	532 19 85-41	Nut	98	532 18 22-27	Screw
24	- - -	Engine, B&S, Model Number 124K02-0438 (Order parts from engine manufacturer)	99	532 18 22-28	Nut, Hex
25	532 15 04-06	Screw, Hex Head, Threaded, Rolled 3/8-16 x 1-1/8	- -	532 40 93-76	Operator's Manual, European
26	532 08 39-23	Hex Flange Nut	- -	532 40 93-77	Operator's Manual, Scand
27	532 41 21-73	Wheel & Tire Assembly	- -	532 40 93-78	Operator's Manual, E-Bloc
28	532 40 16-38	Shoulder Bolt 5/16-18 x .33	- -	532 40 93-80	Operator's Manual, Baltic

NOTE: All component dimensions given in U.S. inches. 1 inch = 25.4 mm. **IMPORTANT:** Use only Original Equipment Manufacturer (O.E.M.) replacement parts. Failure to do so could be hazardous, damage your lawn mower and void your warranty.

ROTARY LAWN MOWER -- MODEL NUMBER M65B53FD (96141014200) PRODUCT NUMBER 961 41 01-42



ROTARY LAWN MOWER - - MODEL NUMBER M65B53FD (96141014200) PRODUCT NUMBER 961 41 01-42

KEY NO.	PART NO.	DESCRIPTION	KEY NO.	PART NO.	DESCRIPTION
1	532 40 01-61	Drive Control Assembly (Includes Cable)	38	873 80 04-00	Locknut, Hex 1/4-20
3	532 17 52-62	Pan Head Tapping Screw #10-24 x 2-3/4	40	532 19 28-49	Spring
4	532 19 96-87	Hex Washer Head Screw 1/4-20 x 2.12	41	532 40 88-03	Kit, Wheel Adjuster, RH (Includes Knob and Bearing)
5	532 19 68-53	V-Belt	54	532 19 52-13	Grassbag Assembly
6	532 19 84-53	Control Bar	55	532 17 57-39	Driveshaft Cover
7	532 19 17-30	Nut, Hex, Flanged 1/4-20	57	532 19 46-43	Frame, Grassbag
9	532 08 39-23	Locknut, Hex	61	532 18 75-25 *	Case, Lower
11	532 19 79-86	Wheel & Tire Assembly	62	532 18 75-26 *	Case, Upper
12	812 00 00-58	E-Ring	63	532 18 34-99	Gear, 27 Teeth
13	532 40 38-49	Gear, Pinion	66	532 18 75-27	Shaft, Input
14	532 18 94-03	Dust Cover	67	532 18 75-28	Spacer
15	532 19 10-17	Pawl, Drive	69	532 18 35-05	Wire, Formed
16	532 06 77-25	Washer 1/2 x 1-1/2 x .134	70	532 18 35-06	Bearing, Ball
18	532 08 78-77	Selector Knob	72	532 18 35-08	Seal, Output Shaft
25	532 19 90-89	Belt Keeper	73	532 18 35-09	Washer
26	532 15 00-78	Screw	75	532 18 35-11	Bushing
28	532 18 14-68	Drive Cover	76	532 18 75-29	Shaft, Output
32	532 19 40-18	Drive Pulley	77	532 18 35-13	Screw
35	532 40 88-02	Kit, Wheel Adjuster, LH (Includes Knob and Bearing)	78	532 18 35-14	Seal, Input Shaft
36	532 18 82-96	Gearcase Assembly, Complete			

* Use Dow Corning #709 to reseal Gear Case Halves.

NOTE: All component dimensions given in U.S. inches. 1 inch = 25.4 mm. **IMPORTANT:** Use only Original Equipment Manufacturer (O.E.M.) replacement parts. Failure to do so could be hazardous, damage your lawn mower and void your warranty.